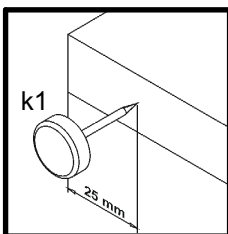
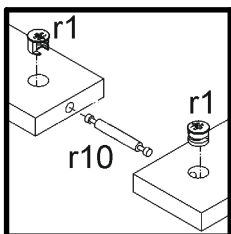
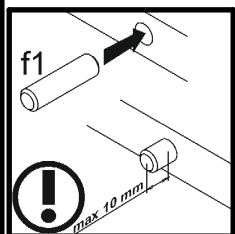
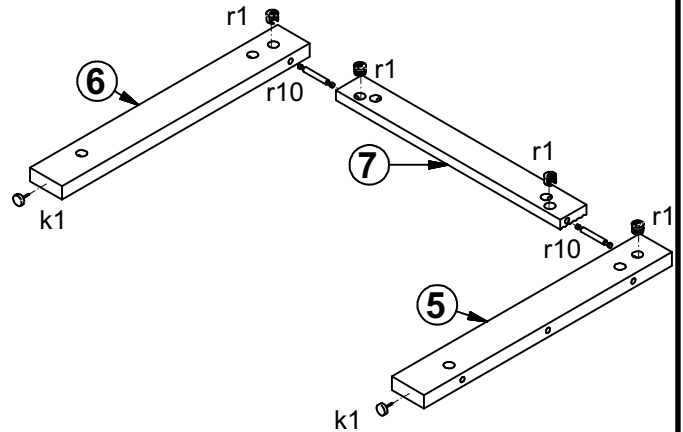
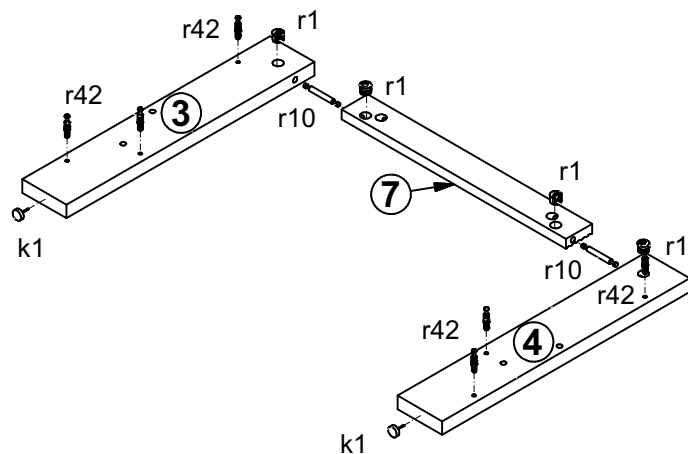
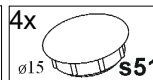
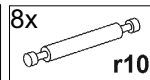
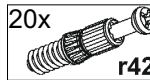
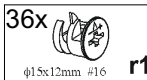
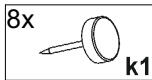
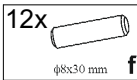
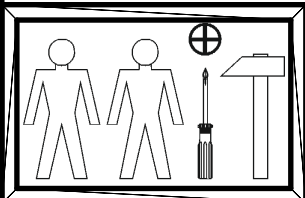
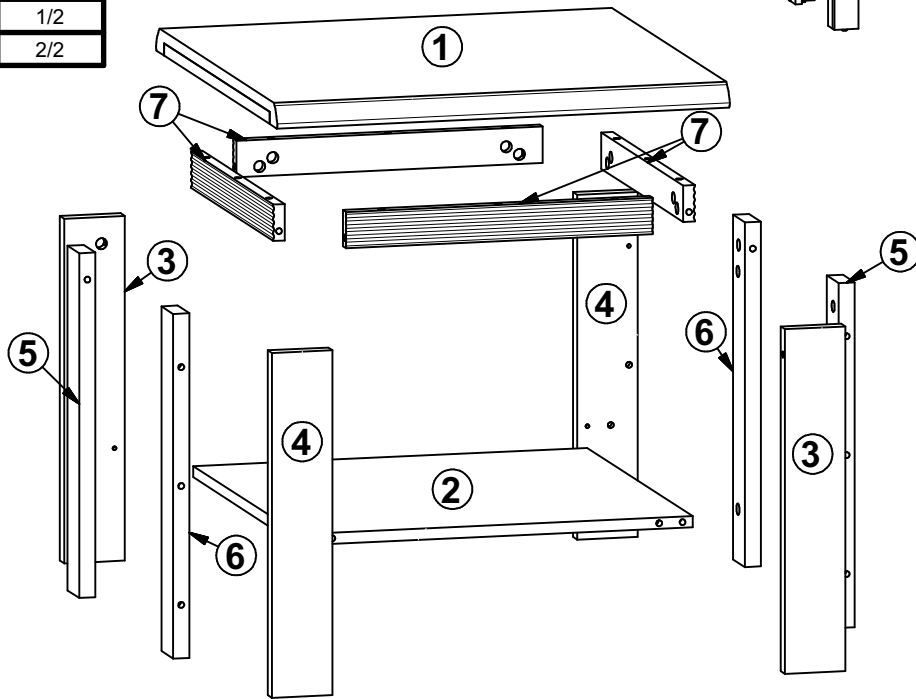
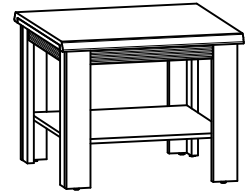


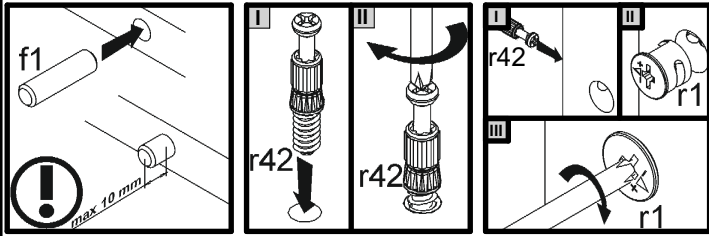
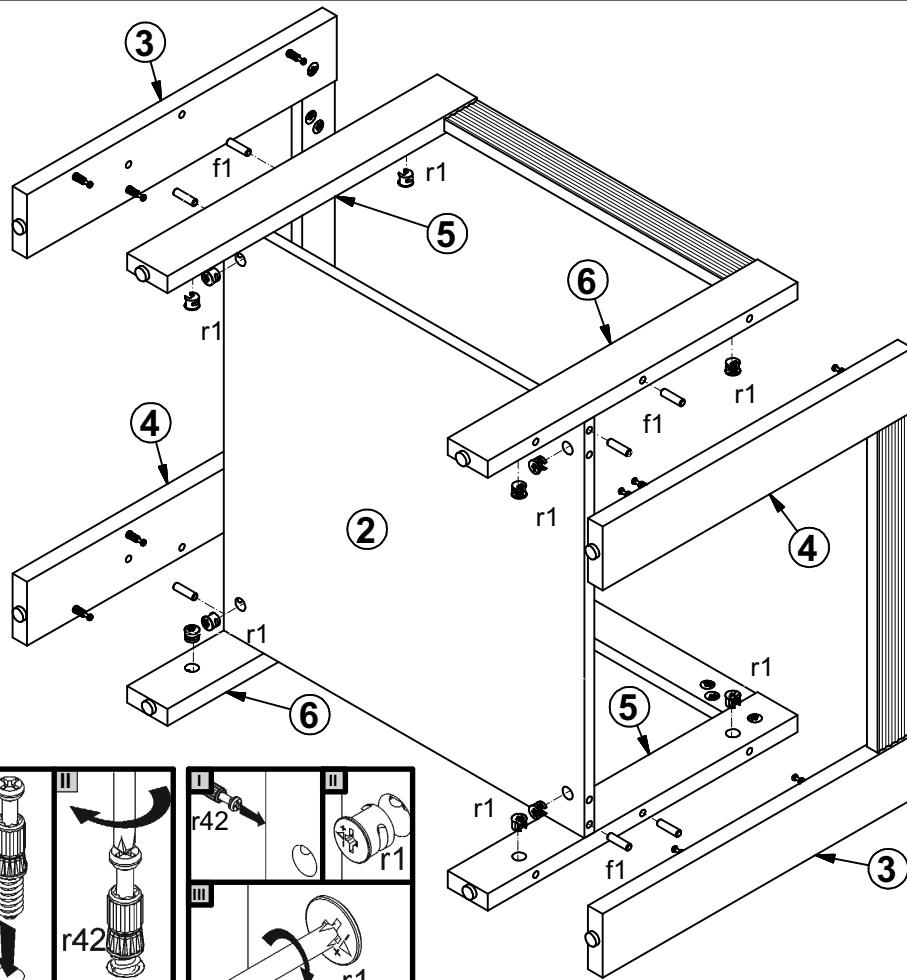
CAPS

S153-LAW/60

A	B	C	D	
1	S153-208	620	620	1/2
2	S153-3322	540	540	1/2
3	S153-406	464	83	1/2
4	S153-407	464	83	1/2
5	S153-408	464	60	1/2
6	S153-409	464	60	1/2
7	S153-583	420	49	2/2



2



3

